

EVAL KIT BUNDLE HAPTICORE 14-P001X1

Datasheet

V3.1, 20.12.2022

 **HAPTICORE**
by  **EELTECH**

Eval Kit Bundle HAPTICORE 14-P001X1

REINVENTING USER EXPERIENCE

With HAPTICORE we make user experiences truly immersive and intuitive. Our game-changing HAPTICORE encoder unites all the benefits of a mechanical rotary with a freely programmable haptic device.

HAPTICORE generates real, mechanical haptic feedback for intuitive human-machine interfaces (HMI) control. Our patented MR (magnetorheological) technology provides revolutionary haptic control interactions with real-time feedback, only with the use of software: intuitive, accurate, fast, and personalized!



JOIN THE HAPTIC REVOLUTION

The **Eval Kit Bundle HAPTICORE 14-P001X1** is your entrance into the world of adaptive haptic technologies by XeelTech. We provide you all the necessary parts, both **test hardware** and an **easy-to-use software package** to evaluate the performance of our HAPTICORE technology, both within our test environment and your prototype.

For an easy start, you can use the **HAPTICORE Xperience** application, our plug-and-play test software with a preselection of haptic feedback patterns. Once you gain your first experience, you can remove the HAPTICORE from its stand, mount it in your prototype, and use the **Customer Test App**, to create tailored haptic feedback patterns for every interaction with your HMI.

Explore unlimited haptic patterns – it is only a matter of software

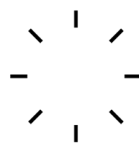
With our fully programmable technology, any haptic feedback pattern can be created for a more intuitive and tailored user experience. The number and strength of ticks per rotation as well as the rotation angles and rotation resistance can be customized and combined to your needs. But the HAPTICORE can not only adapt its haptic feedback pattern. Also, the feel of every haptic sensation can be adjusted via software. Here are only a few examples of haptic feedback patterns:



Fine Tick



Medium Tick



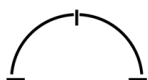
Rough Tick



Lock



Interstage



Barrier



Barrier ticks



Rough Tick

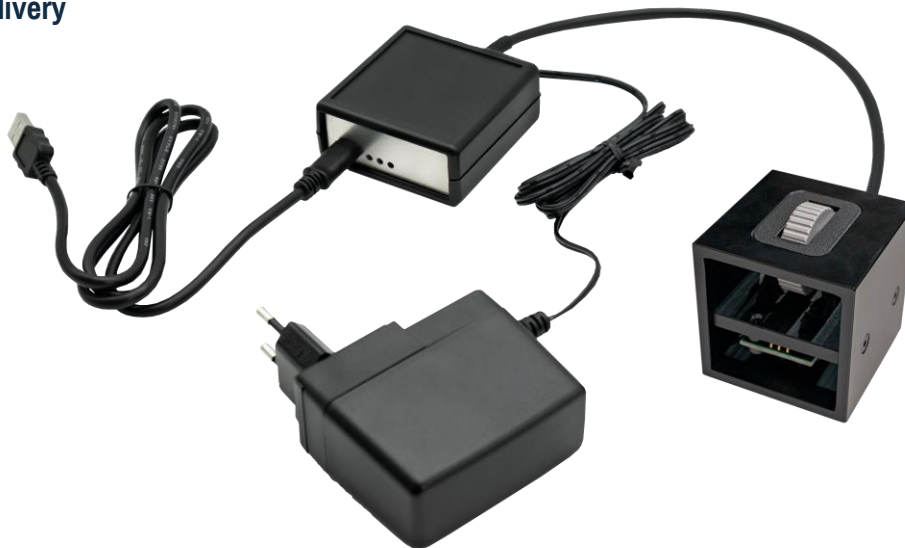


Contrasting directional feedback



Speed adaptive feedback

Scope of delivery



Hardware

HAPTICORE 14-P001X1

Mounted cover (not removable)

Socket and cradle (HAPTICORE 14-P001X1 pre-mounted but removable)

6 pin connection cable to connect with HAPTICORE Control Unit Pro

Ribbon cable

Cable adapter PCBA

HAPTICORE Control Unit Pro (required to operate Eval Kits)

USB-C cable

12 V Power supply with interchangeable blades

Software

HAPTICORE Xperience (Quick Start Demo Software)

HAPTICORE Customer Test App (for advanced testing and prototyping)

Documentations

Quickstart Guide

HAPTICORE Haptic Functions Documentation

HAPTICORE Firmware Update Guide

HAPTICORE .NET Library Documentation

HAPTICORE Serial Communication Protocol Documentation

Libraries

HAPTICORE .NET Library

Find the complete software package at www.xeeltech.com/downloads

HAPTICORE software & support

The HAPTICORE Eval Kit includes the use of the HAPTICORE software suite. The software suite includes the HAPTICORE Xperience and the Customer Test App as well as other helpful tools to help you experience our technology and design your own haptic feedback patterns.

Of course, we will provide you with everything you know to build your own haptic modes from documentation and video tutorials to personal assistance via our team of integration engineers.



HAPTICORE Xperience

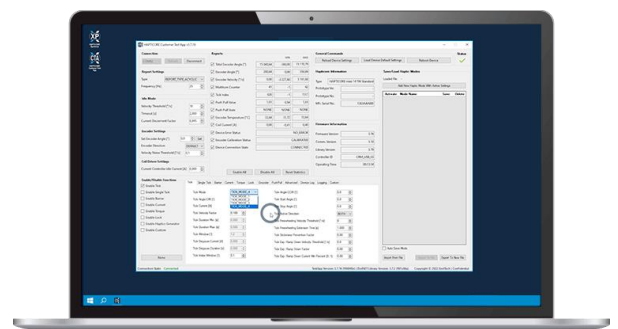
The HAPTICORE Experience software is your first step into the our world of haptic feedback.

- › Plug & Play solution for our HAPTICORE Eval Kits
- › Basic and Advanced modes for an easy start
- › Configurator function to test the possibilities of our technology

HAPTICORE Customer Test App

The Customer Test APP is your development tool to unleash the full potential of HAPTICORE for your application

- › Complete customization of haptic feedback for your Eval Kit
- › Easy export of haptic modes to your prototype
- › Includes an extensive library of prebuilt haptic modes

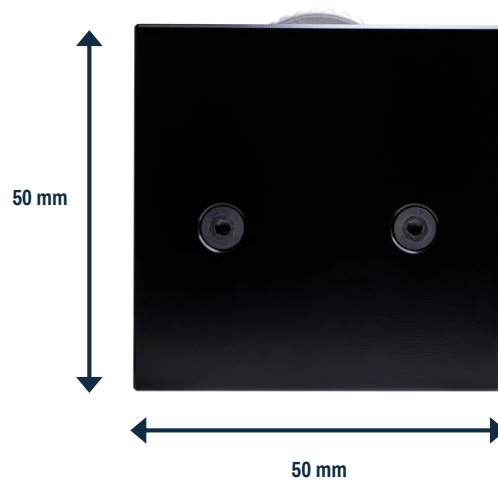
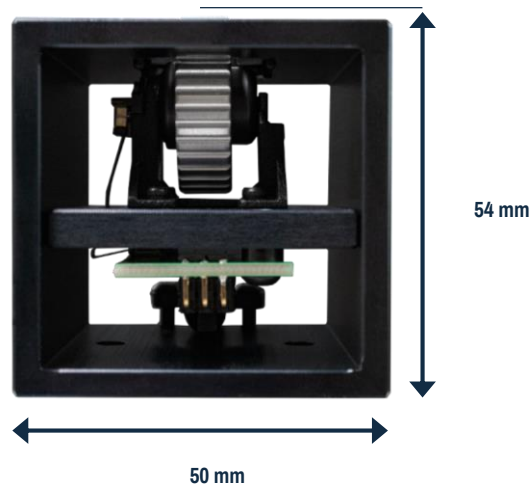


Documentation & tutorials

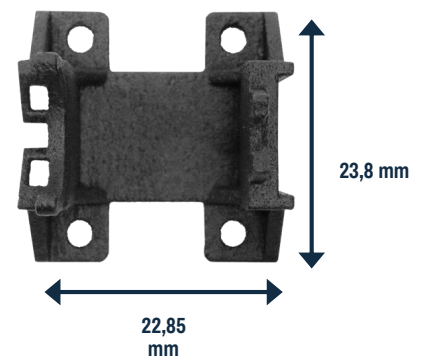
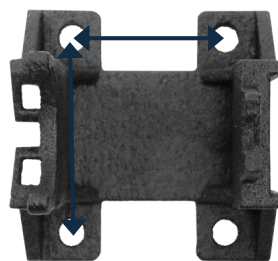
Included in the software suite are extensive documentations that help you become an expert haptic designer in now time. In addition we have prepared a series of video tutorials to help you master your Eval Kit in no time.

Visit the www.xeeltech.com/support to learn more.

Dimensions



Scroll wheel diameter: 25 mm



Mounting info

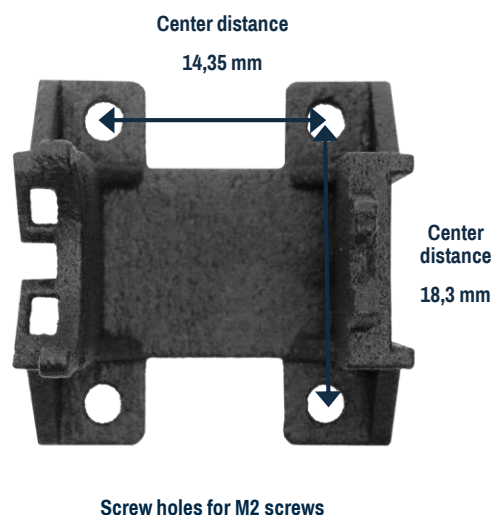
The Eval Kit HAPTICORE 14 P001X1 comes in a pre-assembled test kit. The HAPTICORE 14 can easily be removed from its housing. This way you can install the HAPTICORE 14 in your prototype or test it separately. To remove the HAPTICORE 14 from the housing, follow the these steps

1. Unplug the cable from the PCB (the cable does not need to be removed from cable strain relief yet)
2. Remove the plastic cover around the scroll wheel by lightly pushing with a screwdriver from underneath
3. Unscrew the four screws on the sides of the eval kit
4. Pull out the mounting plate with the scroll wheel through the side without the cable strain relief
5. Detach the ribbon cable from the PCB
6. Unscrew the screws attaching the cradle to the baseplate



Please only use the included cradle to mount the HAPTICORE 14

Cradle screw points



Dimensions

HAPTICORE Control Unit Pro



Product data

HAPTICORE 14-P001X1

This Eval Kit is equipped with the HAPTICORE 14-P001X1. To learn more about our smallest HAPTICORE rotary encoder and its technical specifications and performance data visit the HAPTICORE 14-P001X1 product page.

Note: The fastening latches of the HAPTICORE 14-P001X1 have been removed to mount the included cover.

[Learn more](#)



HAPTICORE Control Unit Pro

With the HAPTICORE Control Unit Pro, we provide you with the development setup to build and test haptic modes on your computer, easily integrate the actuators with custom haptics into your prototype and even test their performance on your test bench.

To learn more about the technical specifications visit the HAPTICORE Control Unit Pro product page.

[Learn more](#)

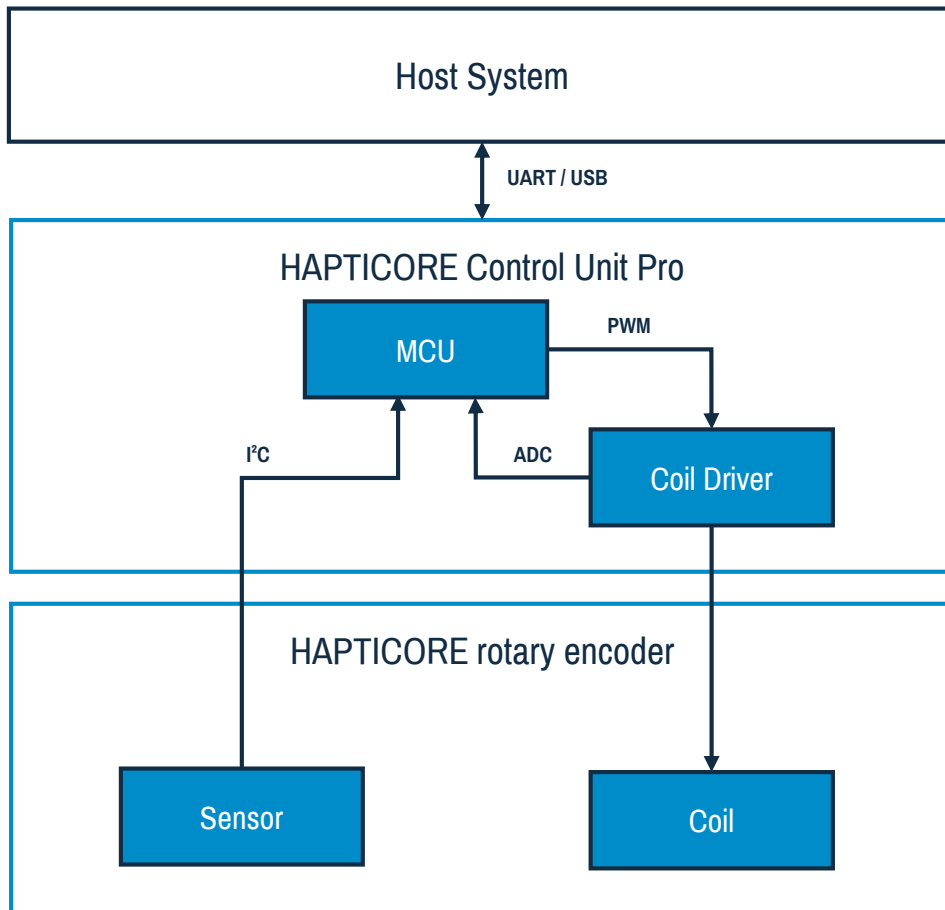


System configuration

HAPTICORE Eval Kits are your entry to our world of programmable haptic feedback and to help you build your first prototype. To make this process as easy as possible the Eval Kits are designed to work with the HAPTICORE Control Unit to let you connect your Eval Kit to your computer as well as integrate them into your prototype.

The diagram below shows the system configuration and communication setup for your Eval Kit.

Please note that the HAPTICORE Control Unit Pro will not be required for the integration into your serial product.



Contact XeelTech

Do you have questions regarding the HAPTICORE technology, need support during the installation, or are interested in our serial products?

Contact our support team. We are at your disposal at any time.



XeelTech GmbH

Montafonerstraße 68

A-6771 St. Anton im Montafon

Austria

mail@xeeltech.com

+43 5552 93081-0

www.xeeltech.com